

One big company: the reliability is the first demand

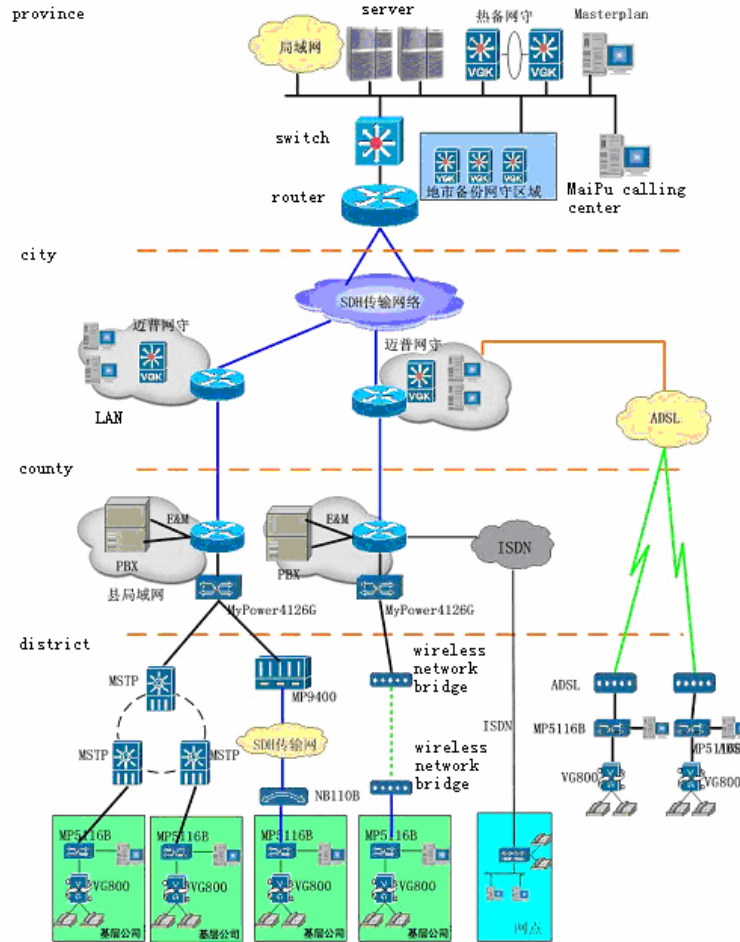
——MaiPu Strives for Data, VoIP, Video frequency System Project

We need this such VoIP system:

1. Some provincial company basic unit condition is worse, so the VoIP equipment must have such performances: good environment compatibility, dustproof, anti-static electricity, anti-radar, wide pressure and so on;
2. The system network VoIP is a very important application, so the VoIP equipment must have the advanced technology to guarantee the good calling quality;
3. Some provincial company has many access network, so the VoIP equipment merchant should be the first level brand in domestic and with the experience of large-scale VoIP network construction;
4. In the future the network equipment will have the latent upgrading demand, if adopting fixed structure to upgrade, the VoIP equipment should be modularized and expandable;
5. Some provincial company network area is widespread, and has a lot of access network, the number management and calling control are very important, so the gatekeeper system must have completely and advanced hot backup and redundancy function.

MaiPu Communication Solution

One company finally adopts MaiPu VoIP equipment as the access network construction equipment. This is the topology chart of the solution.



in the whole solution, each unit uses MaiPu VG800 VoIP gateway and MP5116B switch; VGK2X gatekeeper system in city, VCM2000 and province gatekeeper system, meanwhile with its backup gatekeeper, to form a multi-grade and multiple gatekeeper backup system; MP S4126G L3 layer switch is as the aggregation in county, the whole network is switch network. The total VoIP phone can be up to 12000 lines.

MaiPu Communication Promise:

1. **In the aspect of environment adaptability**, all the MaiPu VoIP equipment is metal covering, the anti-static electricity, anti-radar performance surpass the normal material, and the broad pressure range also provide the perfect guarantee for the network equipment use;
2. **In the aspect of equipment calling quality guarantee**, MaiPu VoIP uses patent voice compression technology and anti-vibration technology, guarantees be back to the original tone;

3. **In the aspect of network construction experience,** MaiPu Company as the first domestic company to develop VoIP product has large application case, which has built the foundation for the smooth network construction implementation.
4. **In the aspect of investment protection and expansibility** MaiPu VoIP equipment adopts the completely modularization design and reasonable capacity, in this solution, VG800 series VoIP gateway is a modularized equipment owning 16 capacities, VOS and VOP modules can be expanded, which are convenient to upgrade in the future;
5. **In the aspect of gatekeeper system,** MaiPu gatekeeper adopts special processor and VxWorks special software platform to establish reliable and stable operation support platform, meanwhile consummate the hot backup function, N+M hot backup function, effectively guarantee large-scale VoIP network operation.